

# BLAZE ENGINEERS<sup>®</sup>

INNOVATION IN VENTILATION TECHNOLOGY



## HVLS FAN

High Volume Low Speed Fan





Industrial Cooler

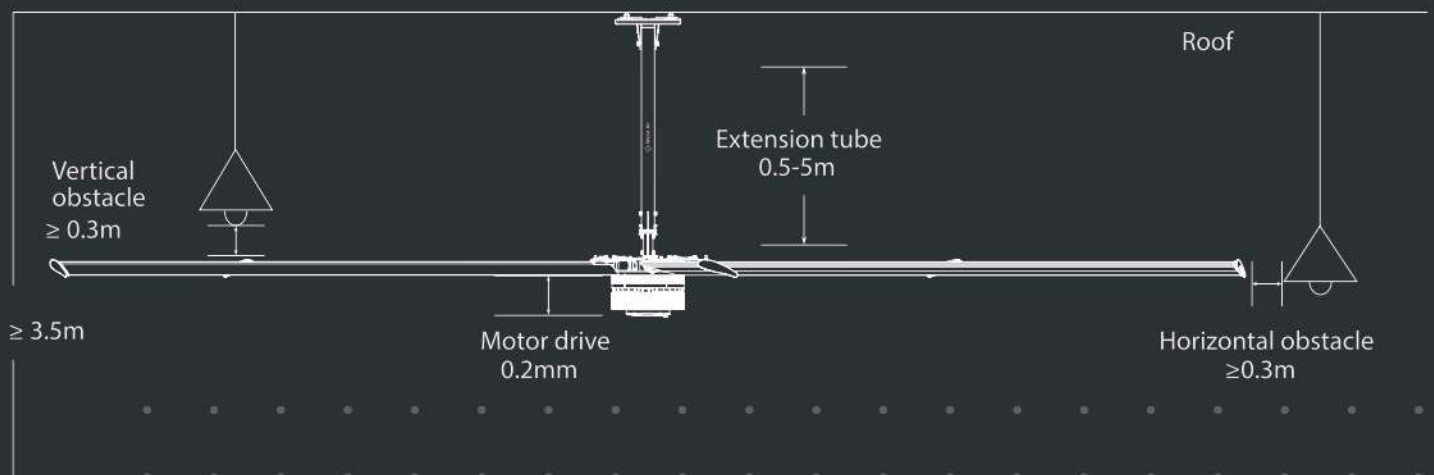


Exhaust Fan

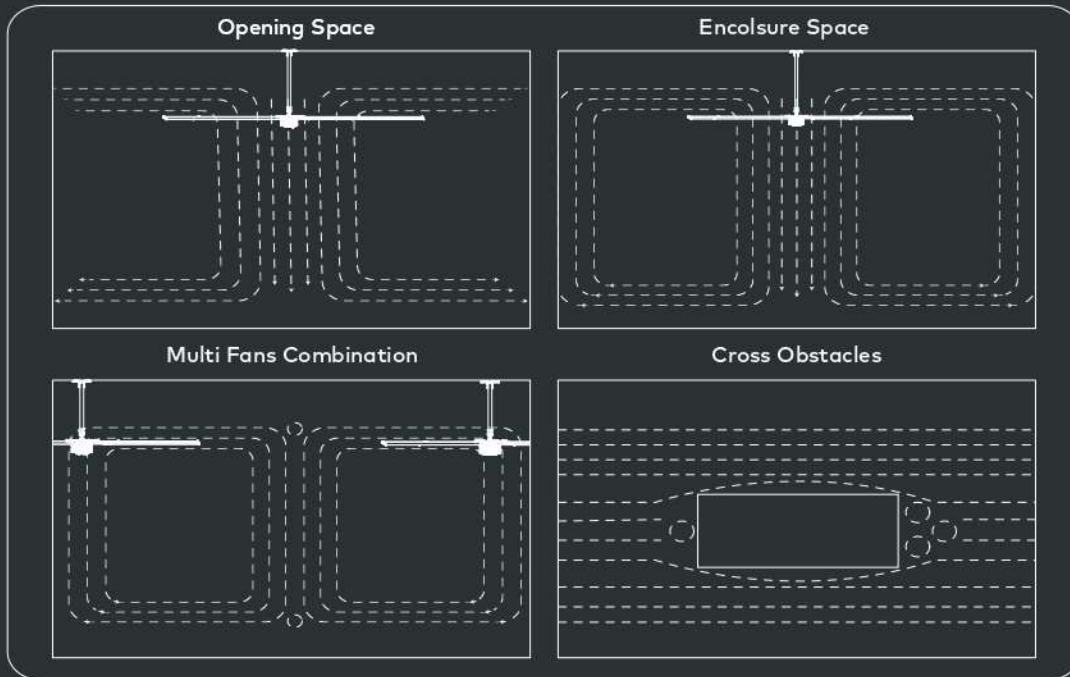
## Advantages Of PMSM (HVLS) Fans

 <p><b>Conventional HVLS (Gearbox)</b></p>	 <p><b>BLAZE HVLS (PMSM)</b></p>
Gear Reducer Type Motor	Direct Drive Servo Motor
Power consumption is too high	Less energy loss, Optimal performance, Highest power saving!
Less electricity savings	Modern engineering, Saves huge cost
Periodic Maintenance required for oil seal, gearbox oil	Simple design, No Maintenance
Made with Gear Reducer Type.	Made with rare earth Neodymium magnets (20X better life)

## Installation Requirements



## Function Introduction



### One-of-a-kind Features of Generation-3 Fans

- **Dual Cooling System:** Air + Liquid cooling mechanisms to ensure longer lifespan.
- **Longer Lifespan:** Motors equipped with high-temperature resistive magnets & windings.
- **Maximum Temperature Threshold:** The temperature sensors are set to stop the fan at 130° C.
- **Thick Blades:** Significant thick blades compared to standard designs.
- **Fall Prevention Design:** Specifically designed to prevent falls or accidental drops.

## BLAZE ENGINEERS

## HVLS PMSM Fan Technical Configuration

Model	Size (Dia)	Motor kW/HP	RPM	Air Volume (CMM)	Total Weight (Kg)	Coverage (SQ.M)	Frequency (Hz)	dBA*
MRT-7a-G3	7.3m(24ft)	1.1/1.5	0-55	13,000	116	1500	50/60	38
MRT-6a-G3	6.1m(20ft)	1.1/1.5	0-60	11,500	113	1000	50/60	38
MRT-5a-G3	5.5m(18ft)	1.1/1.5	0-70	11,000	111	900	50/60	38
MRT-4a-G3	4.9m(16ft)	0.75/1.0	0-70	10,000	69	600	50/60	38
MRT-3.7a-G3	3.7m(12ft)	0.37/0.5	0-100	5,000	56	380	50/60	38
MRT-3a-G3	3.0m(10ft)	0.37/0.5	0-115	4,000	50	250	50/60	38

\*dBA - Fans sound are tested in lab condition actual result may vary due to environment condition and surface reflection.  
 Warranty - 1 year whole fan system warranty, Other specifications and models can be customized according to customer needs



# Domestic Fans



Model	Diameter (m)	Air Volume (m <sup>3</sup> /min)	Speed (rpm)	Noise (dB)	Power (Kw)	Fan Weight (kg)	Coverage Area (m <sup>2</sup> )
MRT-1d	1.8	2000	160	≤38	0.3	38	120
MRT-2d	2.4	2600	160	≤38	0.3	36	140
MRT-3d	3	3300	105	≤38	0.3	38	210

## Applications

Efficient Air Circulation & Attractive Design makes Domestic Fans outstanding!



GYM



Hotel Reception



House



Indoor Sports



Restaurants & Cafe



Workshop

## Distinctive Advantages



Attractive design.



Significant cost savings on HVAC expenses.



Noiseless operation.



Maintenance-free experience.



Perfect for spaces with a 10-foot ceiling height.

## More About BLAZE ENGINEERS

# 5

star satisfaction consistently

# 700+

Industry leaders using our product daily

# 7.2+M

m<sup>2</sup> premises made ventilation perfect so far

## Some of our Happy Clients



# BLAZE ENGINEERS

Email - [blazeengineers@yahoo.co.in](mailto:blazeengineers@yahoo.co.in)

Website - [www.blazeengineers.net](http://www.blazeengineers.net)

Mobile - +91-9879228959 / +91-9879225215 Telephone: +91-265-2760958

Reg. Office: B -71, Yoginagar Township, Nr. Ramakaka Dery, Chhani Road, Vadodara - 391740, Gujarat, India.